

RXR-JM200D-AHHC Demolition Robot

Driven by diesel power and operated via remote video remote control, the robot is equipped with a humanoid three-section arm working mechanism and a quick-change system. It can be quickly equipped with hydraulic hammers, hydraulic shears, hydraulic saws, grab buckets, etc., and can complete demolition, shearing, grasping, handling and other tasks within a large working radius. It is suitable for dangerous places such as toxic, hazardous chemical, explosive, easily collapsible, and nuclear-contaminated areas. At the same time, the robot is equipped with an 80 L/s large-flow fire water cannon, has strong hose towing ability, and performs well in quickly extinguishing large-scale fires.

Product features:

- HD wireless image transmission system, realizing real-time video monitoring and controllable of status parameters
- Equipped with a bulldozer blade for rapid obstacle clearance, a large-flow water cannon for remote fire extinguishing
- Quickly change different working attachments to achieve multi-functional operations, with strong practicality and pertinence
- Compact structure, small size, strong demolition ability, and can work efficiently in narrow spaces
- Ergonomic design of a large-handle remote controller, separating humans from the machine, ensuring safety and efficiency



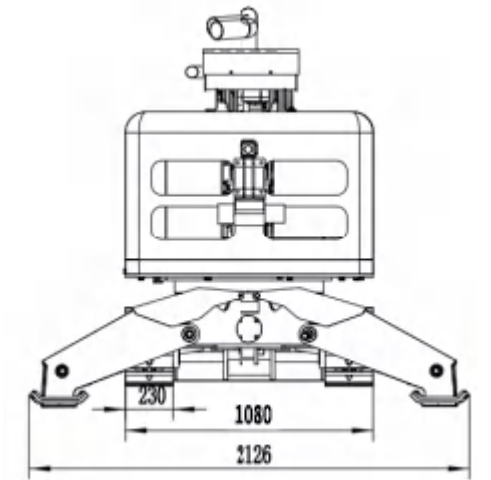
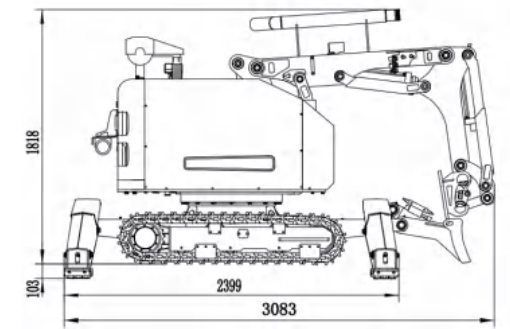
PARAMETER

Slewing speed	12s/360°
Max. driving speed	2.0/4.0km/h(slow/fast)
Max. climbing angle	30°
Hydraulic oil tank capacity	79L
Pump type	Load-sensitive axial piston variable displacement pump
System working pressure	23MPa
Pump output flow rate	0-70L/min
Power	35.3kW
Water cannon flow rate	80L/s
Starting device	Direct starting
Control type	Remote video control
Signal	Digital/Video
Control mode	Wireless
Control range	≥1000m(can be customized)
Machine weight	2250kg
Recommended attachment weight	350kg

OPTION

- Buckets, hydraulic shears and other working attachments
- Rubber tracks/Steel tracks
- Quick coupler/Automatic conduction/Hydraulic wrist
- Forced ventilation cooling
- Special protection for oil cylinders
- Water spraying and air blowing function of hydraulic hammer
- Spare oil circuit (Additional hydraulic function)
- Crawler rubber block/other tools
- High-temperature rubber hoses/Nuclear protection
- Automatic conduction and quick change of hydraulic oil circuit/Hydraulic wrist
- Remote video system, sensors
- Fire water cannon, supercharger and bulldozer blade

SIZE



RANGE

